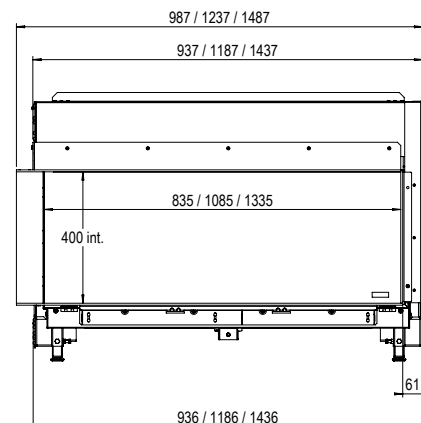
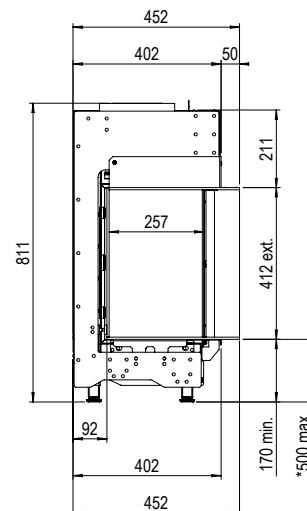
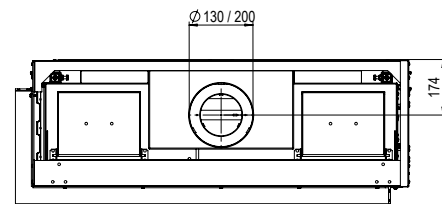


LINEAR FIRE

# MatriX | 1300/400 II



**ENERG**  
енергия · ενεργεια

**Faber** MatriX 1300/400  
I, II, III

**A++**  
**A+**  
**A**  
**B**  
**C**  
**D**  
**E**  
**F**  
**G**

**10,5**  
kW

ENERGIA · ЕНЕРГИЯ · ΕΝΕΡΓΕΙΑ · ENERGIA · ENERGY · ENERGIE · ENERGI  
2015/1186

## Specifications MatriX 1300/400 II

Type	Built-in
Model	Two-sided model
Exterior dimensions WxHxD in mm	1487 x 811 x 452
Fire display WxHxD in mm	1335 x 400 x 257
System	Double Line Burner
Decoration	Log set or Carrara pebbles or Grey split stones
Back walls	Smooth steel
Remote	ITC remote
Power (kW)	10,5
Operating system	Honeywell
Energy label	B

### DECORATION OPTIONS



### OPTIONS

- Glass back wall black
- Anti-reflective glass
- Wall bracket
- Adjustable legs

Depth frame 100mm will be available again in 2021. Faber will inform you when the frame becomes available in due course.

There is **so much to tell...**

For more information, please take a look at the website

[www.faberfires.com](http://www.faberfires.com)