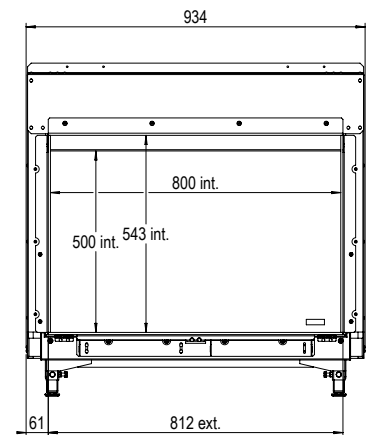
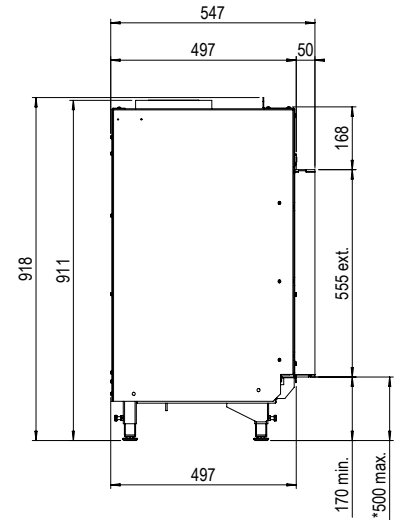
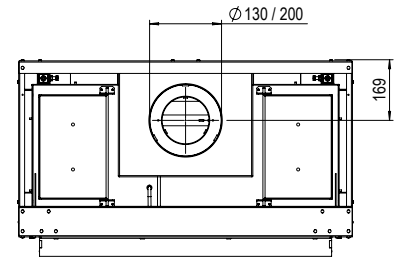


MatriX | 800/500 I



ENERG
енергия · ενεργεια

Matrix 800/500 I, II, III

Faber

A++

A+

A

B

C

D

E

F

G

B

8,1

kW

ENERGIA · ΕΝΕΡΓΙΑ · ΕΝΕΡΓΕΙΑ · ENERGIJA · ENERGY · ENERGIE · ENERGI

2015/1186

Specifications

MatriX 800/500 I

Type	Built-in
Model	Frontmodel
Exterior dimensions WxHxD in mm	934 x 918 x 547
Fire display WxHxD in mm	800 x 500
System	Log Burner 2.0®
Decoration	Log set
Back walls	Smooth steel
Remote	ITC remote
Power (kW)	8,1
Operating system	Honeywell
Energy label	B

OPTIONS

- Glass back wall black
- Anti-reflective glass
- Symbio Module
- Wall bracket
- Adjustable legs

Depth frame 100mm will be available again in 2021. Faber will inform you when the frame becomes available in due course.

There is **so much to tell...**

For more information, please take a look at the website

www.faberfires.com