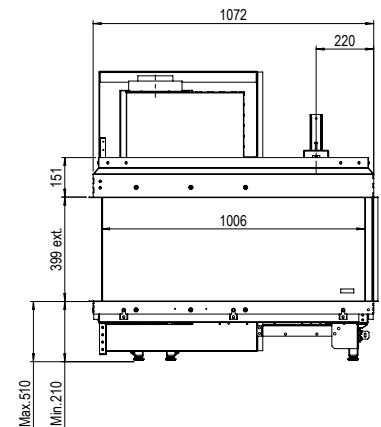
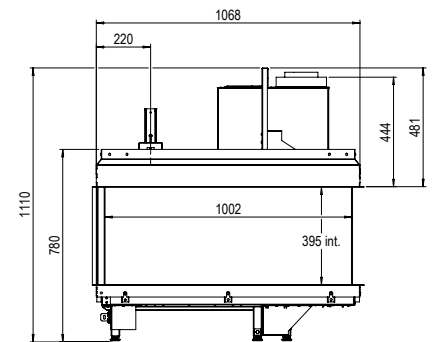
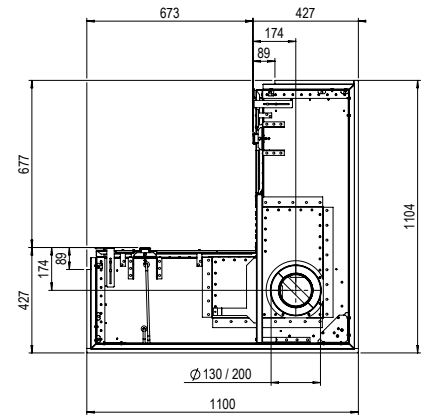


Premium | Respect OC



ENERG
енергия · енерґія · energia · energy · energie · energei

Respect Premium OC

Faber

A++

A+

A

B

C

D

E

F

G

D

10,8

kW

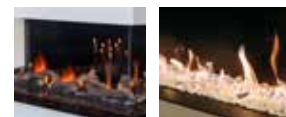
ENERGIA · ЕНЕРґІЯ · ΕΝΕΡΓΕΙΑ · ENERGIA · ENERGY · ENERGIE · ENERGEI

2015/1186

Specifications Premium Respect OC

Type	Built-in
Model	Three-sided model
Exterior dimensions WxHxD in mm	1104 x 1110 x 427
Fire display WxHxD in mm	1004 x 395 x 338
System	Step Burner®
Decoration	Log set or Carrara pebble or Grey split stone
Back walls	Black glass back wall
Remote	Symax
Power (kW)	10,8
Operating system	Mertik
Energy label	D

DECORATION OPTIONS



OPTIONS

ITC control

There is **so much to tell...**

For more information, please take a look at the website

www.faberfires.com