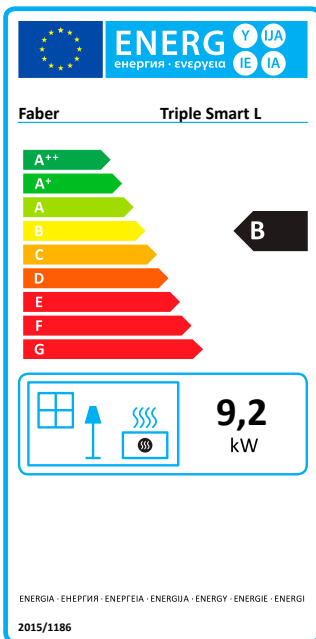
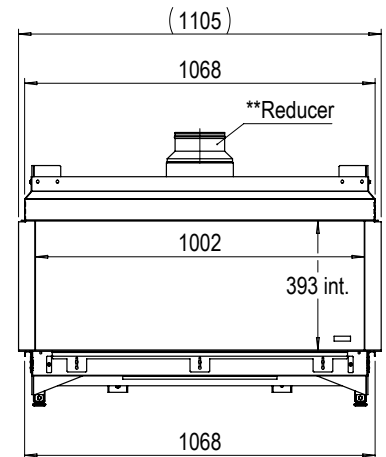
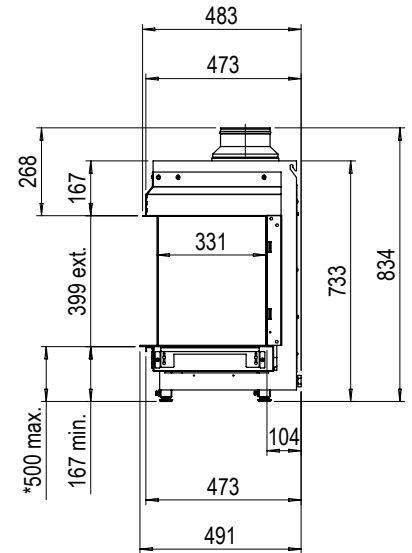
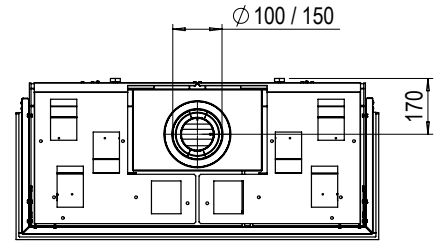


Smart | Triple L



Specifications Smart Triple L

| | |
|---------------------------------|-------------------|
| Type | Built-in |
| Model | Three-sided model |
| Exterior dimensions WxHxD in mm | 1105 x 834 x 492 |
| Fire display WxHxD in mm | 1002 x 393 x 331 |
| System | Flat Burner® |
| Decoration | Log set |
| Back walls | Smooth steel |
| Remote | GV60 |
| Power (kW) | 9,2 |
| Operating system | Mertik |
| Energy label | B |

For more information, please take a look at the website

www.faberfires.com

There is **so much to tell...**